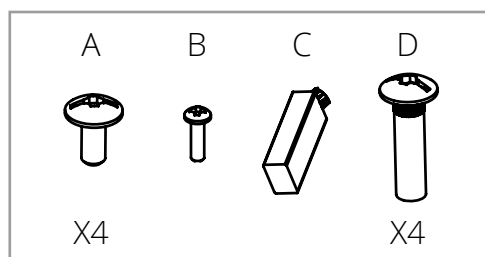


PREFORI DA APRIRE
PER CASSA FORM



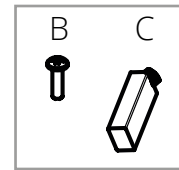
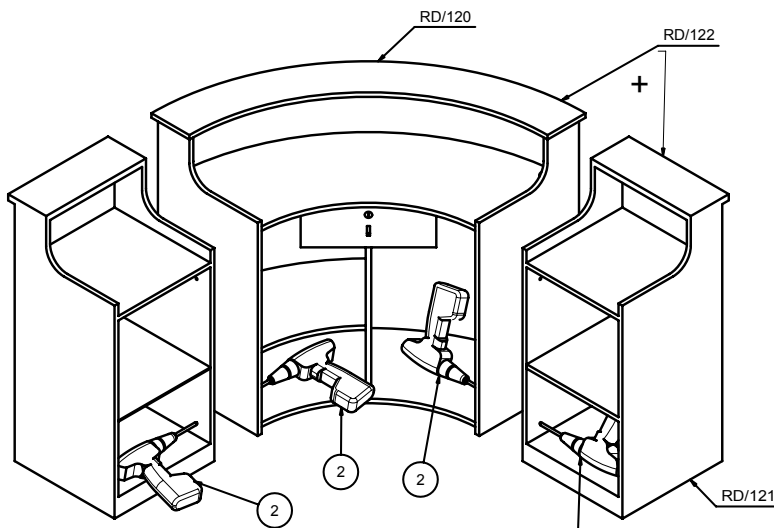
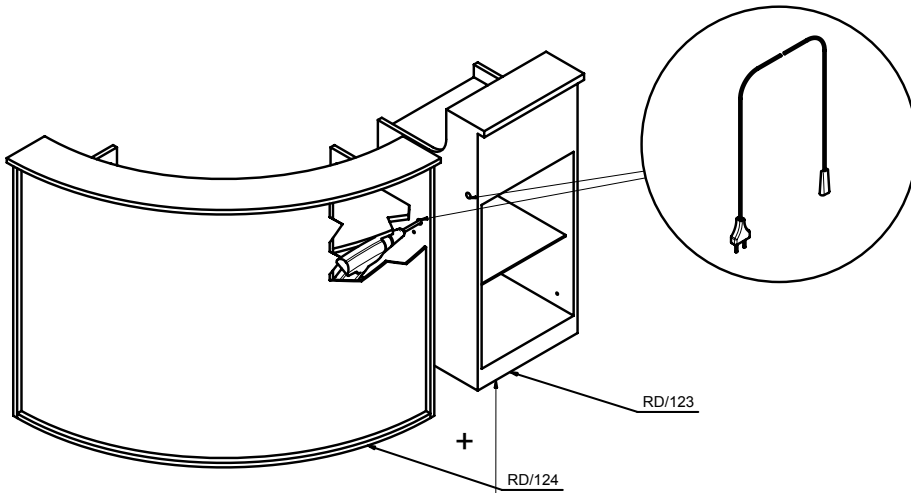
RD/250



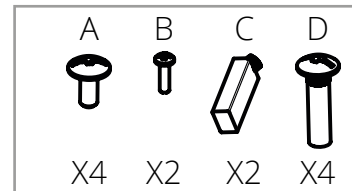
RD/252



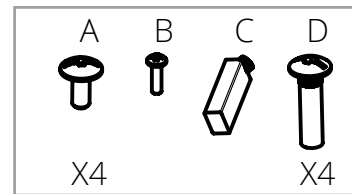
RD/254



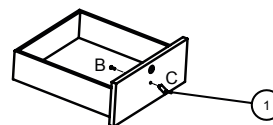
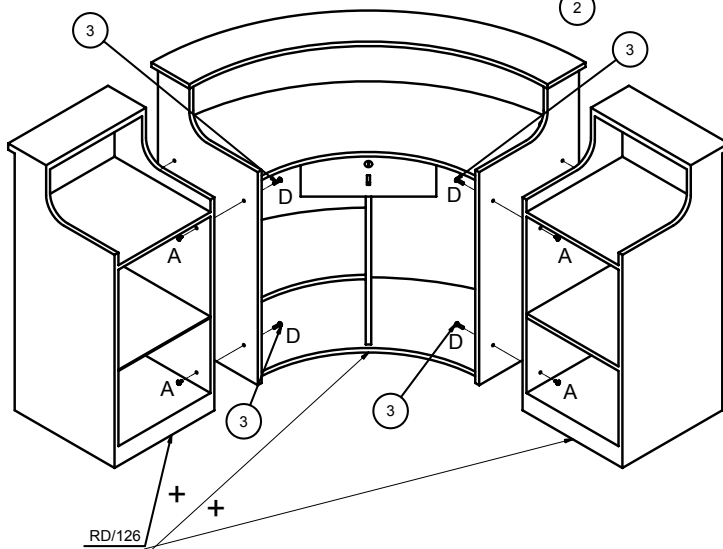
RD/120



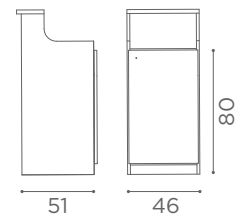
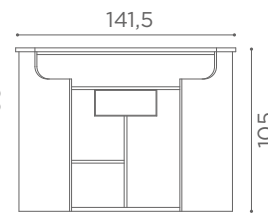
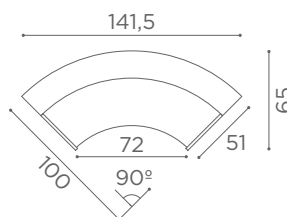
RD/121
RD/122



RD/123
RD/124

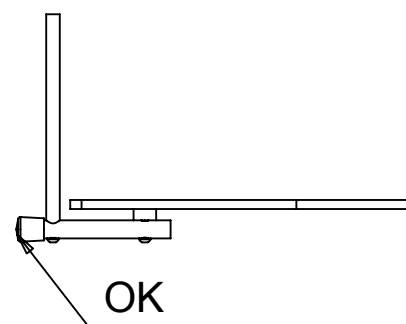
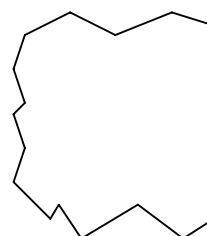
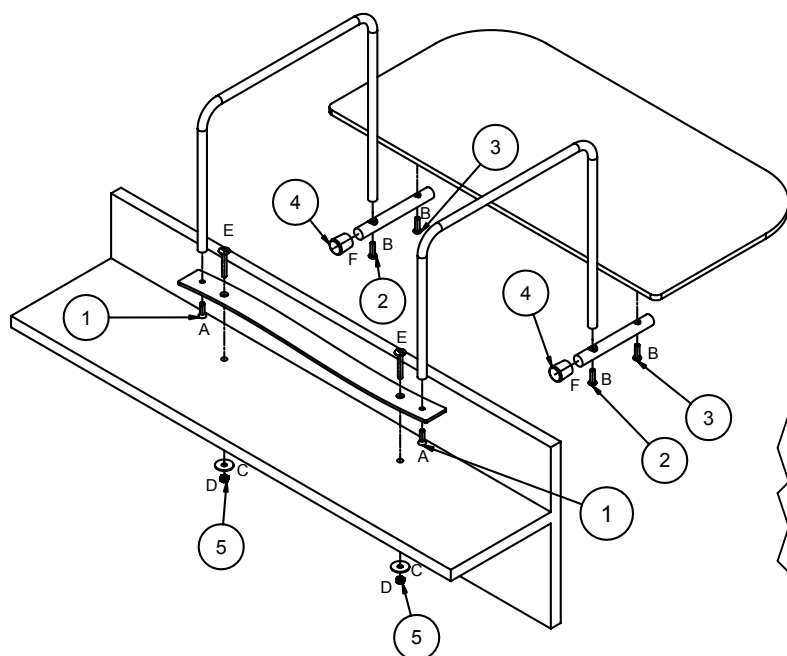


RD/256



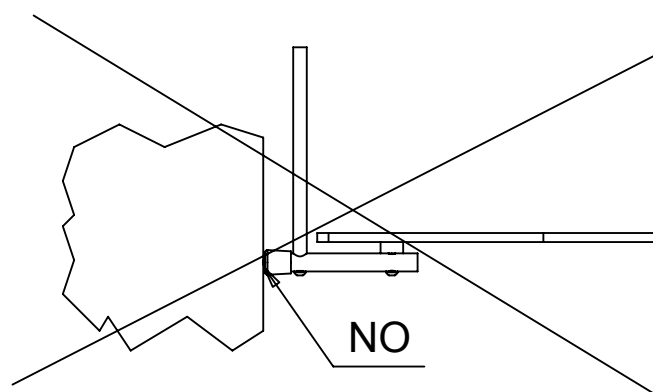
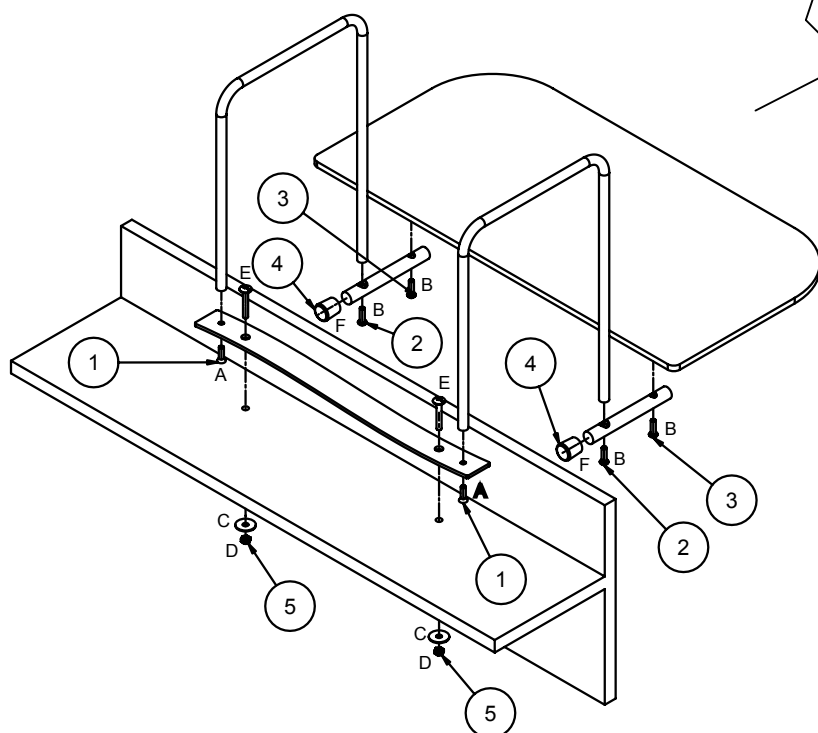
ACC/080

Millennium



ACC/085

Form - Smart



A	B	C	D	E	F
X2	X4	X2	X2	X2	X2